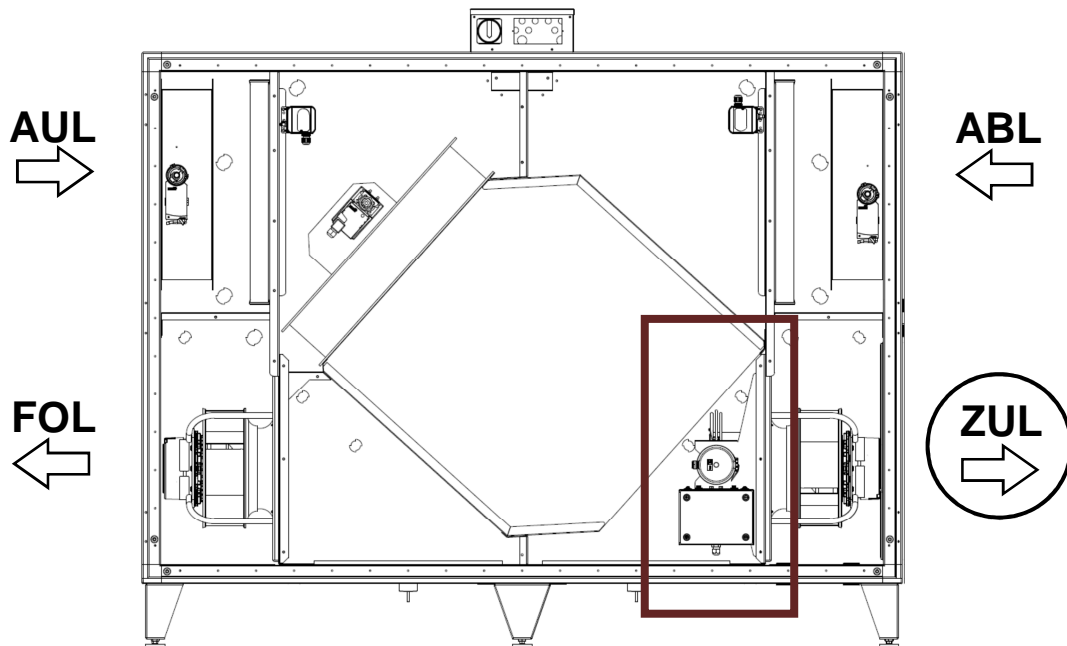


Montageanleitung

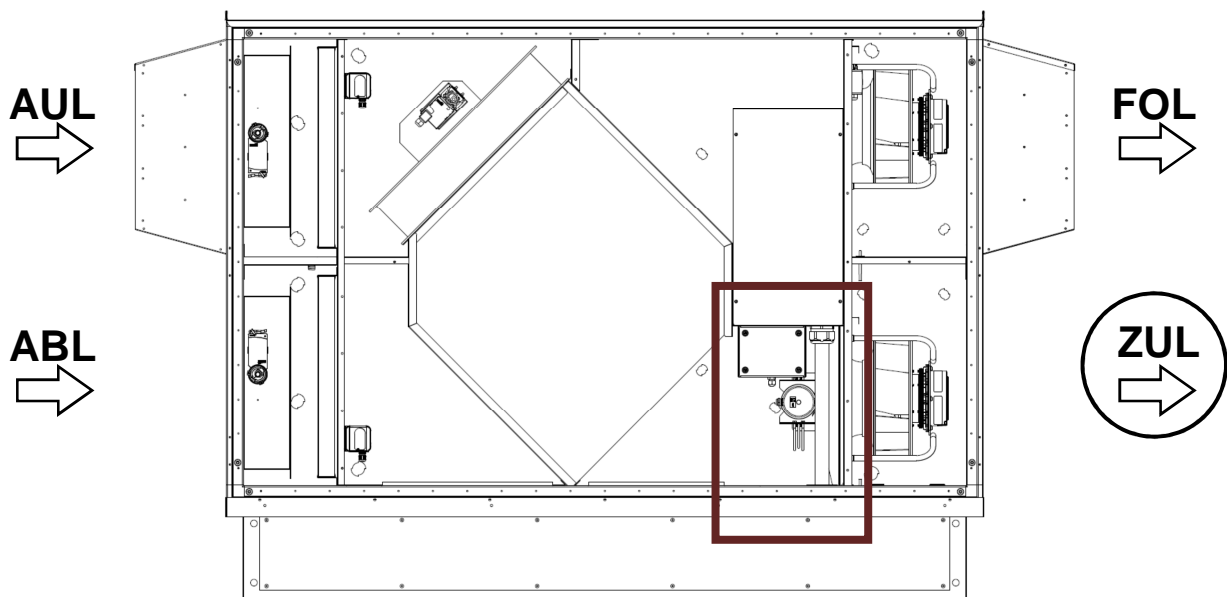
Elektro-Nacherhitzer

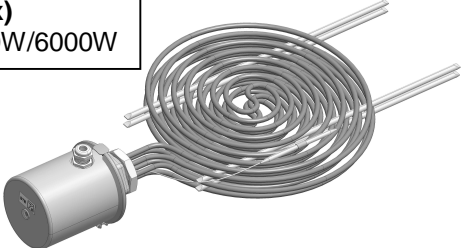
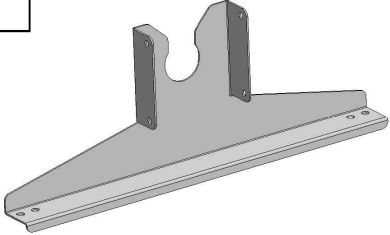
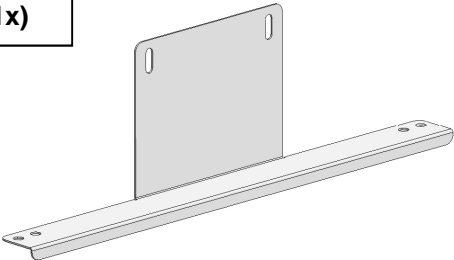
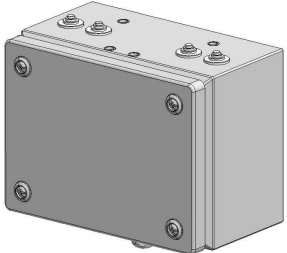
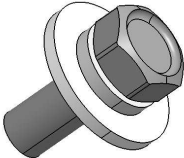

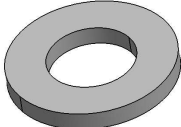
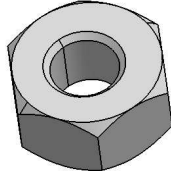
CKL-iH/A-2200/3000

CKL-iH-2200/3000:

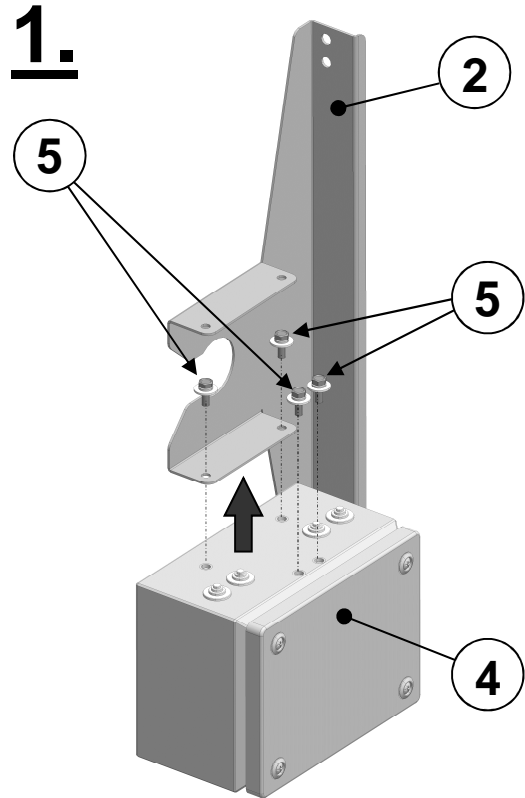


CKL-A-2200/3000:

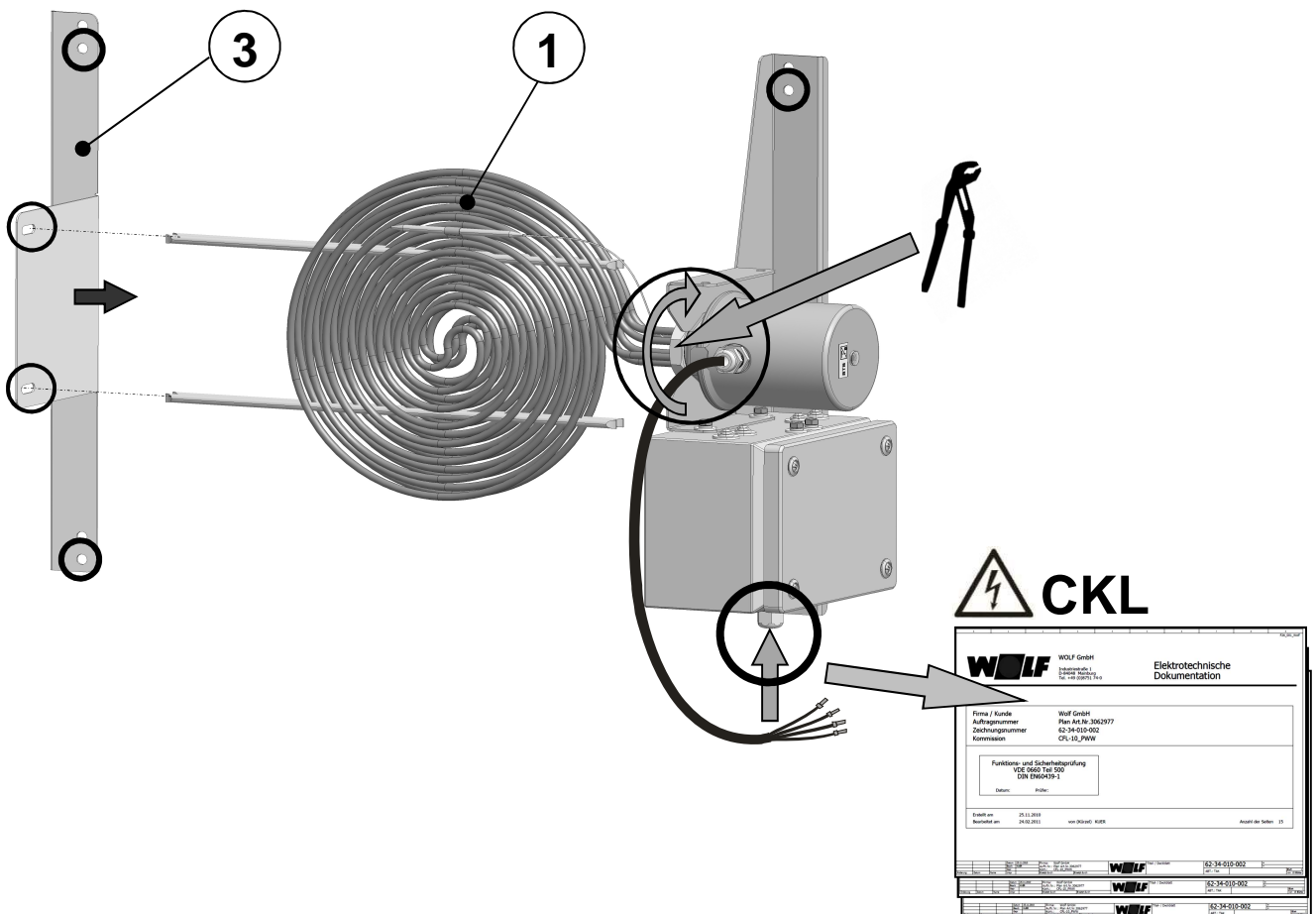


Pos. 01 (1x) 400V, 4000W/6000W		Pos. 02 (1x)	
Pos. 03 (1x)		Pos. 04 (1x)	
Pos. 05 (4x) M6x16 DIN933		Pos. 06 Dichtband 10x2,5mm	
Pos. 07 (4x) A8,4 DIN125		Pos. 08 (4x) DIN985-M8	

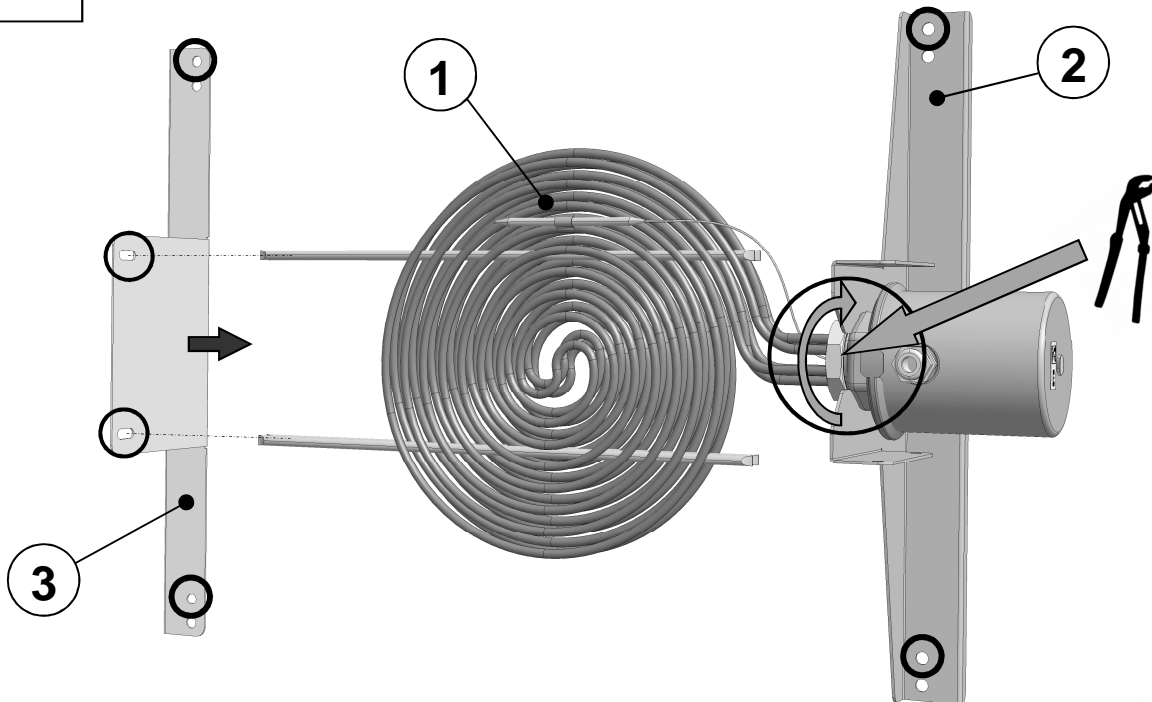
1.1 CKL-iH-2200/3000



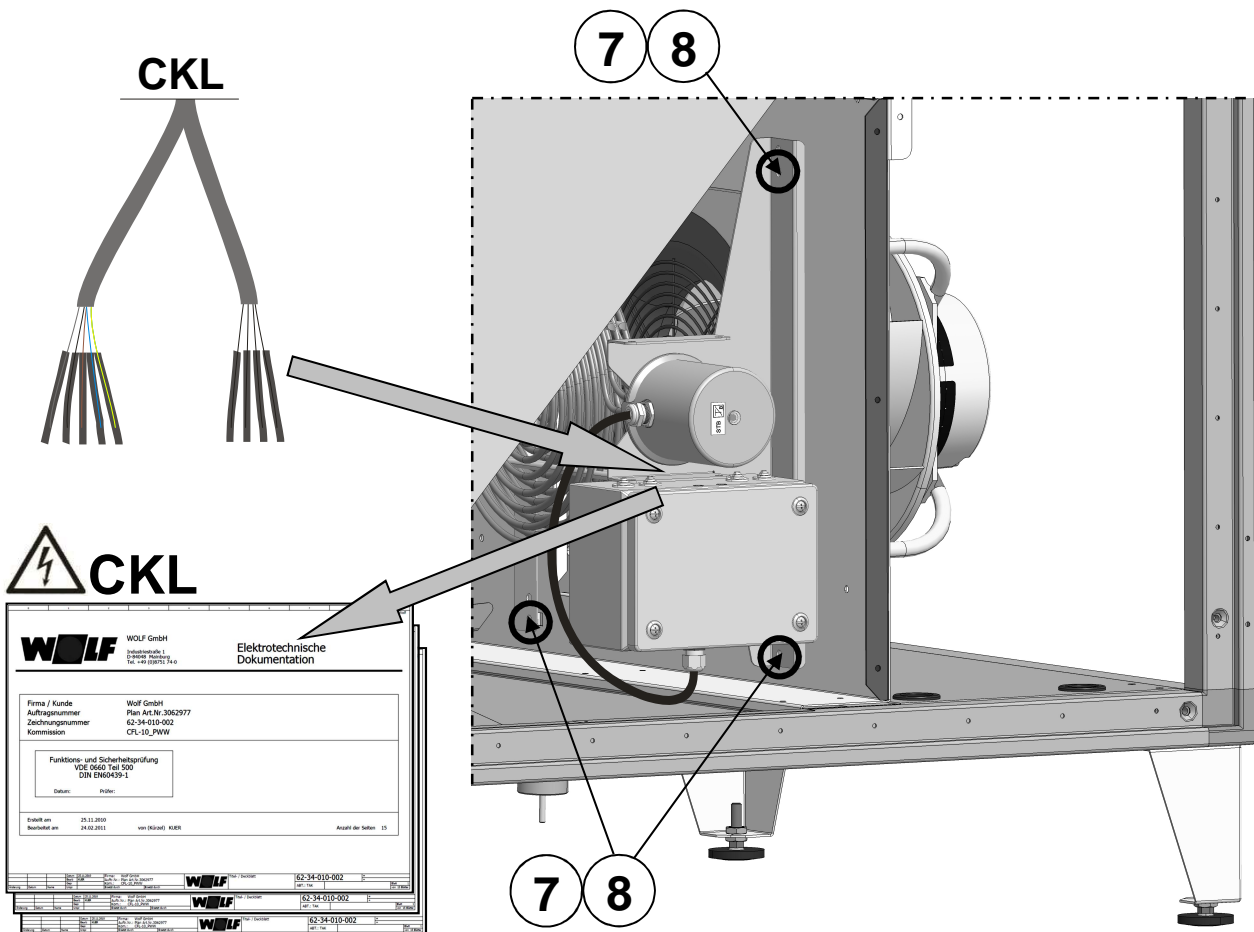
2.

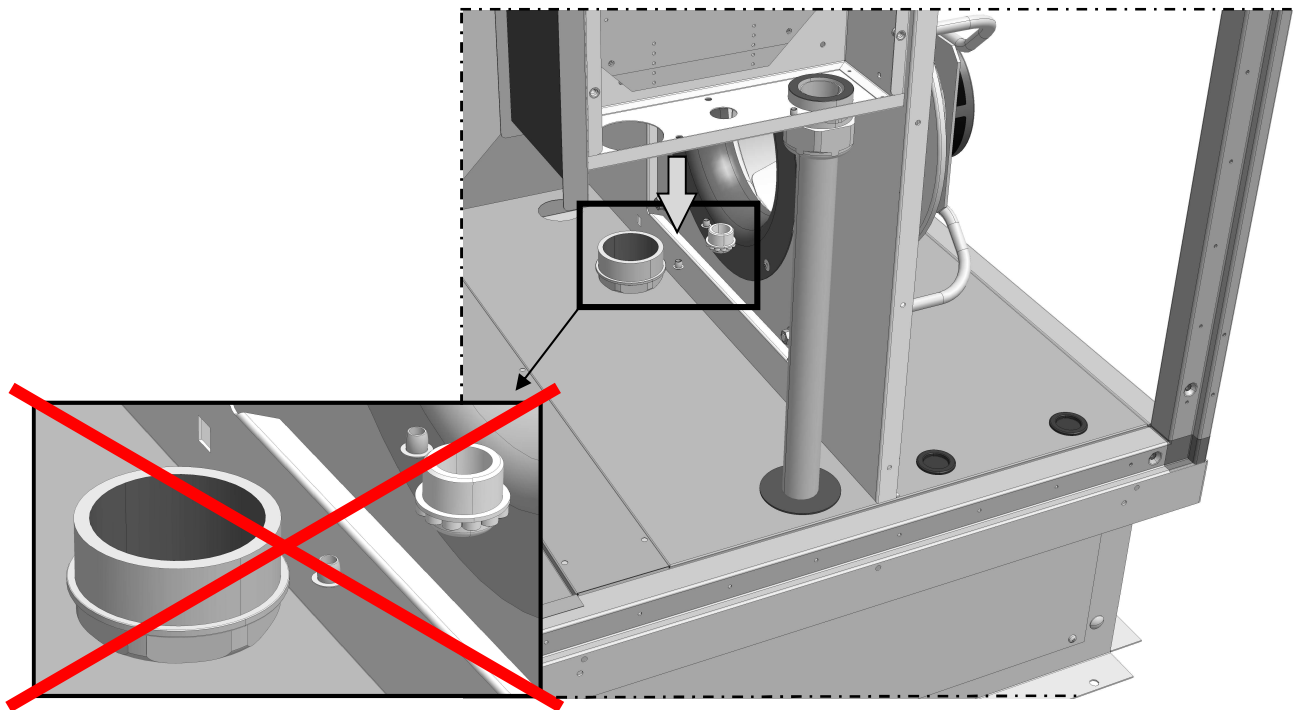
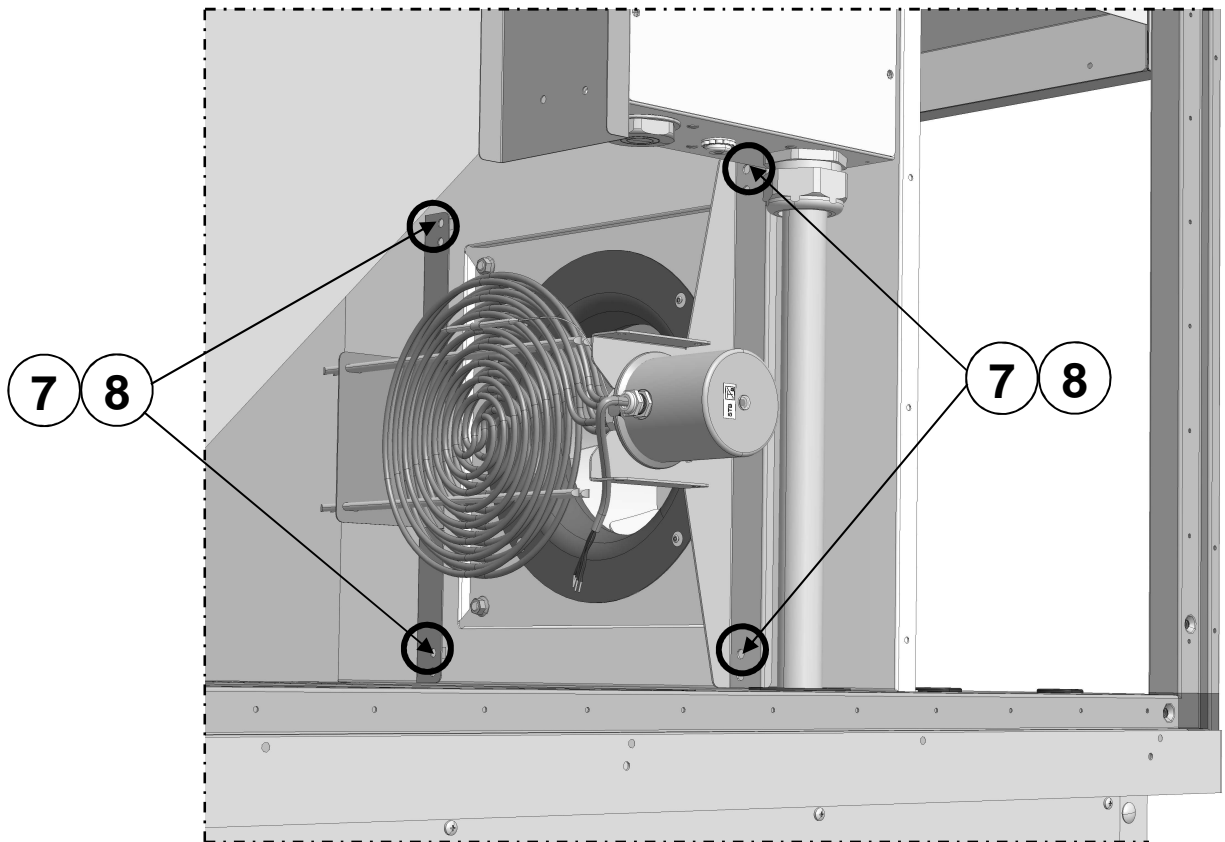


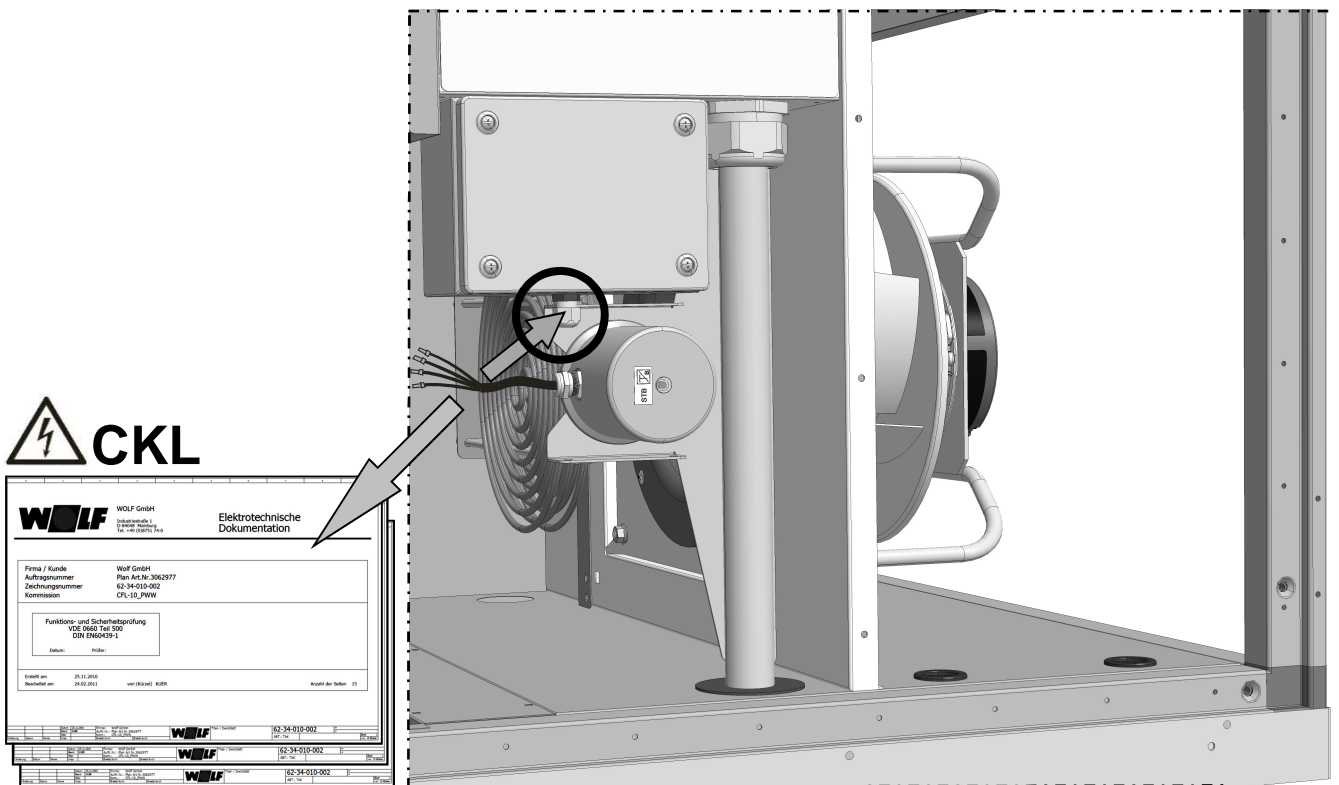
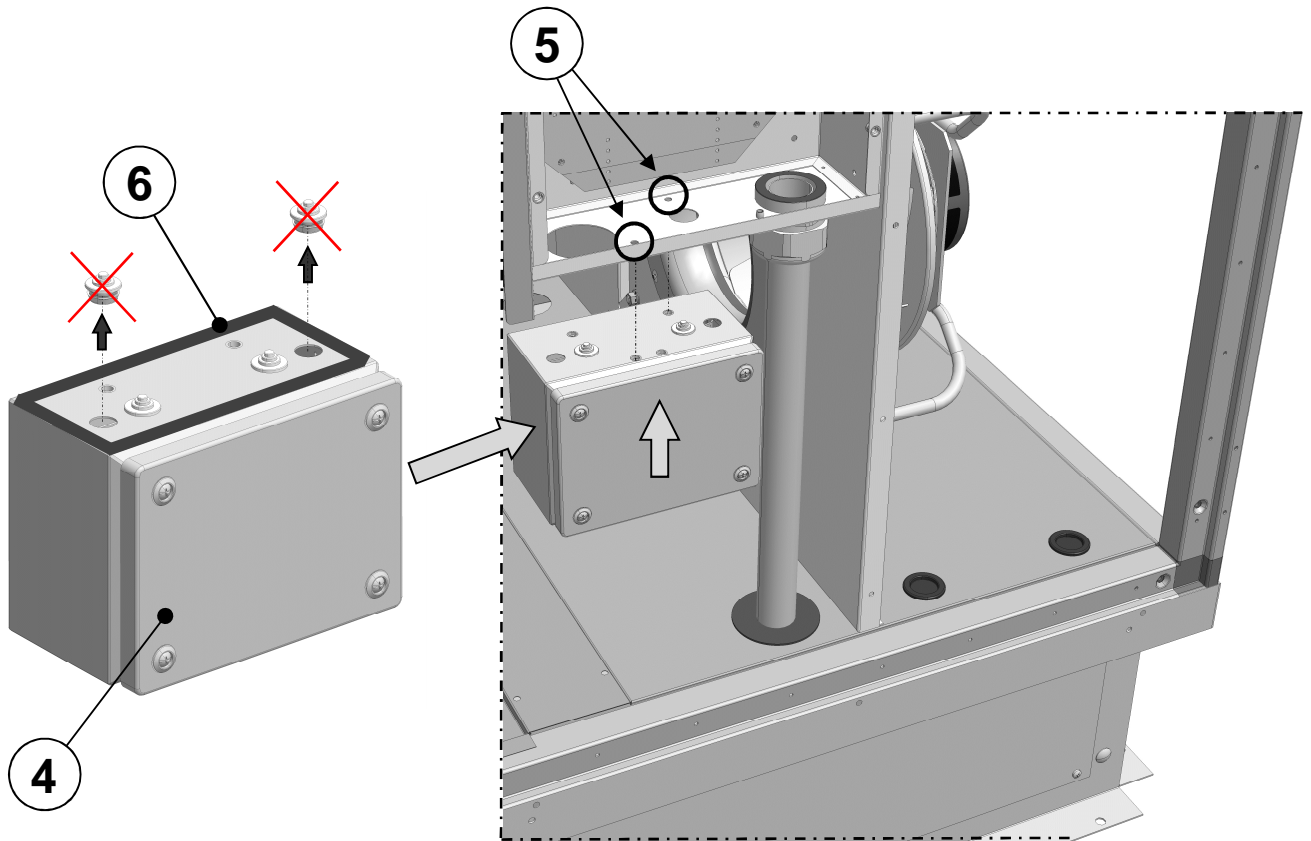
1.2 CKL-A-2200/3000

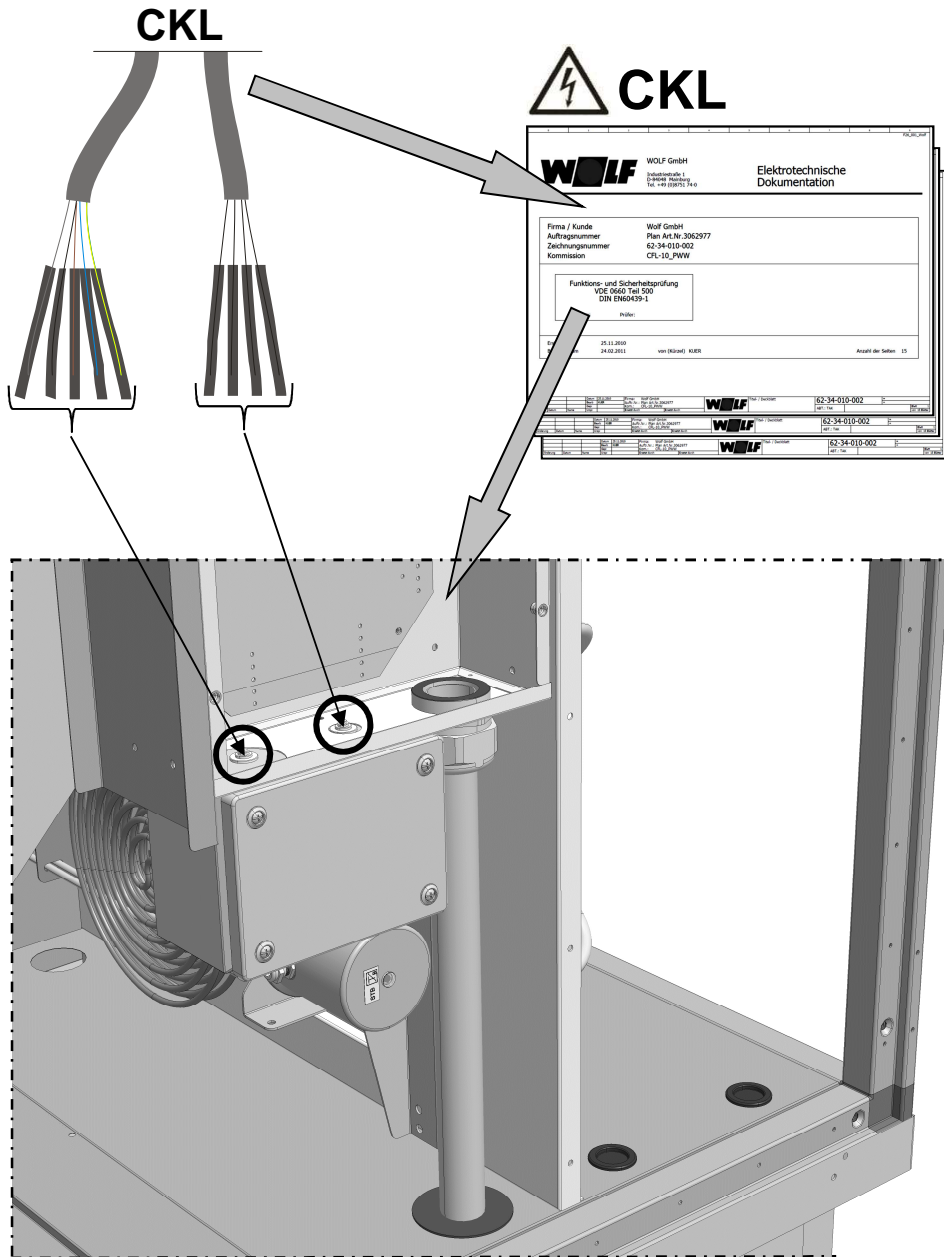


2.1 CKL-iH-2200/3000



2.2 CKL-A-2200/3000







**Montageanleitung
Elektro-Nachheizregister CKL-iH/A-2200/3000**
